

## ABVE

330 bar

Maximum pressure . . . . . 330 bar  
 Extreme operating temperatures . - 20°C à + 80°C

### ■ Technical description

The ABVE bottle type accumulators consist of:

- a forged steel body,
- a bladder,
- a charging valve,
- an oil side orifice fitted with a poppet valve which prevents extrusion of the bladder, and an air bleed screw used during system start-up.

### ■ Advantages

Bladder accumulator, component parts are interchangeable with those of major accumulators available.  
 Dimensions allow for easy installation and also use in batteries.

### ■ Filling gas

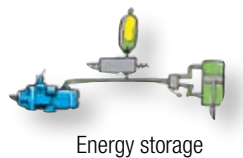
Nitrogen only.

### ■ Operating fluids

Mineral-based hydraulic fluids: standard bladder.  
 Non-standard and/or corrosive fluids: please consult our Customer Service Department.

### ■ Deformation of the bladder

### ■ Example of applications



Energy storage

### ■ Volumetric ratio $(V_0 - V_2)/V_0$

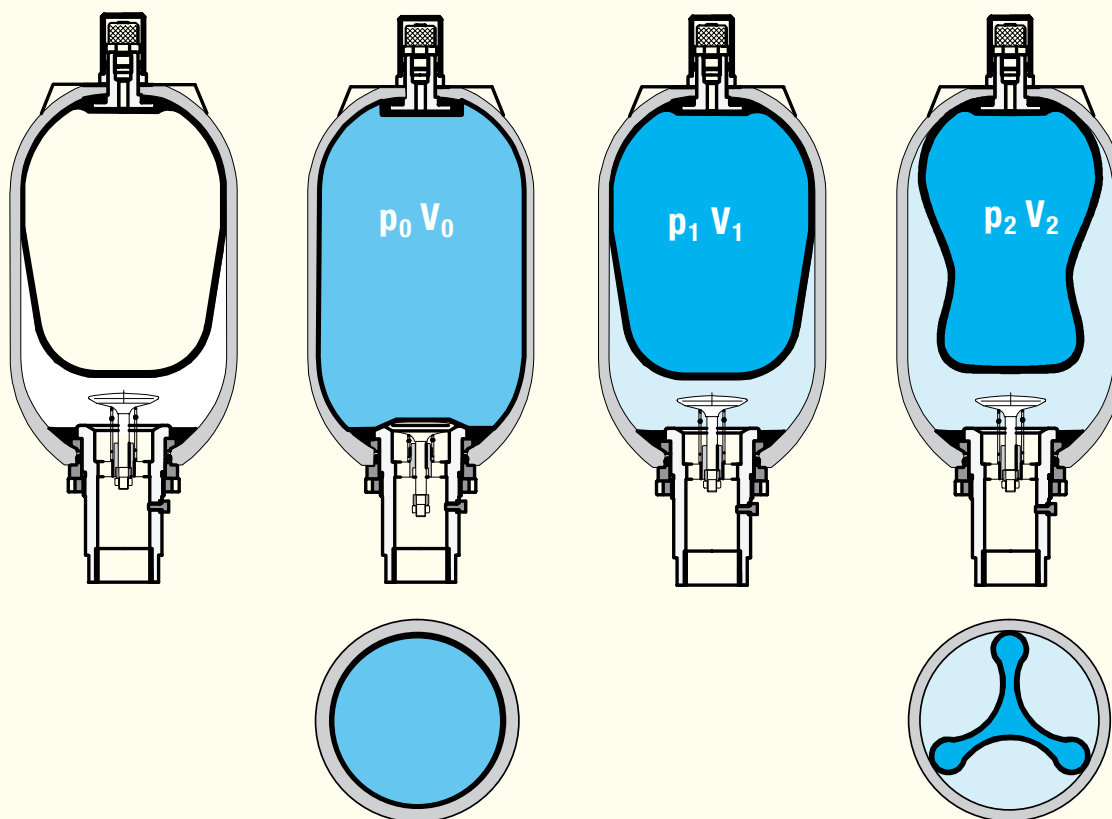
The volumetric ratio of this type of accumulator is 0.75.  
 For example, an ABVE 4 accumulator can take in a maximum volume of  $0.75 V_0 = 0.75 \times 4 = 3$  litres.

### ■ Accessories

Safety blocks, see pages 12 and 13.  
 Fixation devices, see page 11.  
 Adaptateurs, voir page 11.

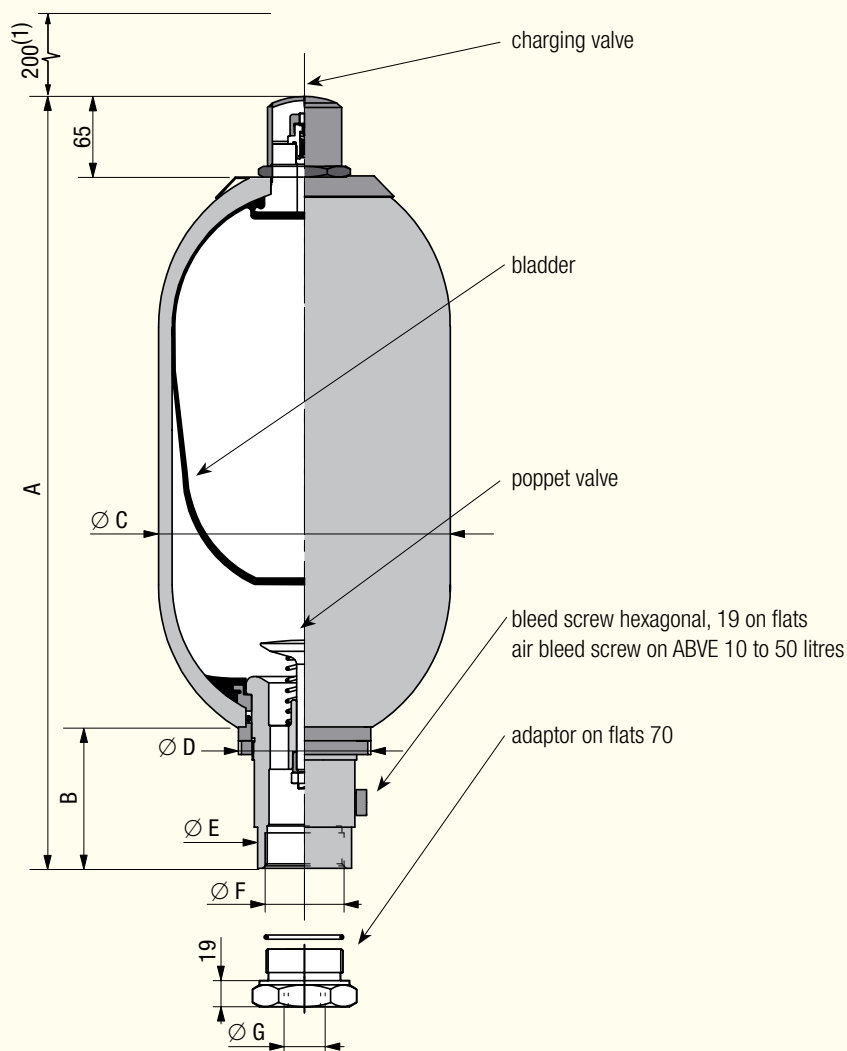
### ■ Order codes

See page 3.





## ABVE



(1) dimensions with VGL 4 fitted

ABVE	reference	nitrogen capacity $V_0$ litres	maximum pressure bar CE	weight kg	dimensions (mm)						
					A	B	Ø C	Ø D	Ø E	Ø F	Ø G
ABVE 4	066850	3.7	350	14	438	65	170	67	52.5	G1"1/4	G3/4" ou plein
ABVE 10	066860	9.2	330	30	579	103	229	101	76	G 2"	G3/4" - 1" ou plein
ABVE 20	066870	17.8	330	50	879	103	229	101	76	G 2"	G3/4" - 1" ou plein
ABVE 32	066880	32	330	80	1400	103	229	101	76	G 2"	G3/4" - 1" ou plein
ABVE 50	066890	48.5	330	100	1914	103	229	101	76	G 2"	G3/4" - 1" ou plein

Hydro-Leduc assure le SAV, vend des pièces de rechange et peut requalifier vos accumulateurs (réépreuve).