

Hydro-pneumatic accumulators piston

AP

330 bar

Maximum pressure 330 bar
Extreme operating temperatures – 30°C à + 100°C

■ Technical presentation:

The AP and APL accumulators are made up of a high resistance steel. The piston which separates fluid and gas is fitted with seals which are specially adapted for:

- the fluids being conveyed;
- extreme working temperatures.

Fitted with either a charging screw or a charging valve (P1620), these accumulators are a modern solution for hydraulic circuits.

■ Advantages

HYDRO LEDUC piston accumulators of the AP and APL series are designed:

- to withstand very high volumetric ratios;
- to ensure total and rapid discharge of fluid;
- for assembly in any position;
- to guarantee very little loss of gas over time;
- for easy adaptation for use with different fluids and temperatures.

■ Filling gas

Nitrogen only.

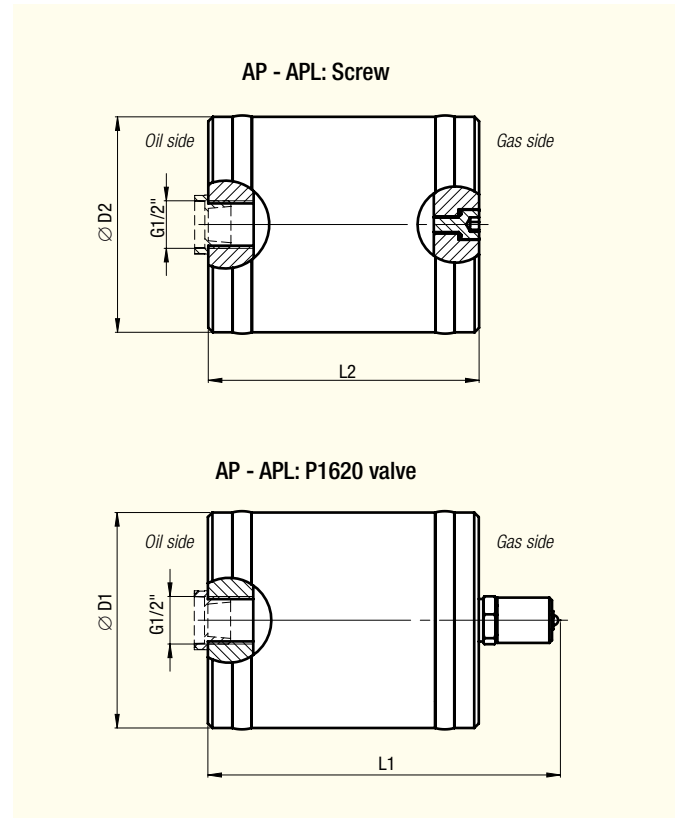
■ Operating fluids

Mineral-based hydraulic fluids: standard bladder.
Non-standard and/or corrosive fluids: please consult our Customer Service Department.

APL

210 bar

Maximum pressure 210 bar
Extreme operating temperatures – 30°C à + 100°C



AP	version	reference	nitrogen capacity V ₀ litres	maximum pressure bar CE	weight kg	dimensions (mm)		
						L1	L2	Ø D1/D2
AP 0.16 L	Screw	068425	0.16	330	4.59	155.4	119.4	95
	P1620 valve	068470			4.66			
AP 0.32 L	Screw	068430	0.32	330	5.11	187.3	151.3	95
	P1620 valve	068475			5.18			
AP 0.5 L	Screw	068435	0.5	330	5.7	223.5	187.5	95
	P1620 valve	068480			5.77			

APL	version	reference	nitrogen capacity V ₀ litres	maximum pressure bar CE	weight kg	dimensions (mm)		
						L1	L2	Ø D1/D2
APL 0.16 L	Screw	068365	0.16	210	3.9	155.4	119.4	90
	P1620 valve	068485			3.97			
APL 0.32 L	Screw	068375	0.32	210	4.23	187.3	151.3	90
	P1620 valve	068490			4.3			
APL 0.5 L	Screw	068380	0.5	210	4.61	223.5	187.5	90
	P1620 valve	068495			4.68			

